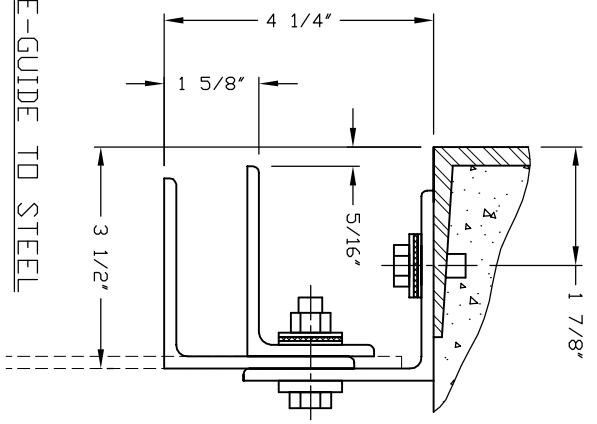


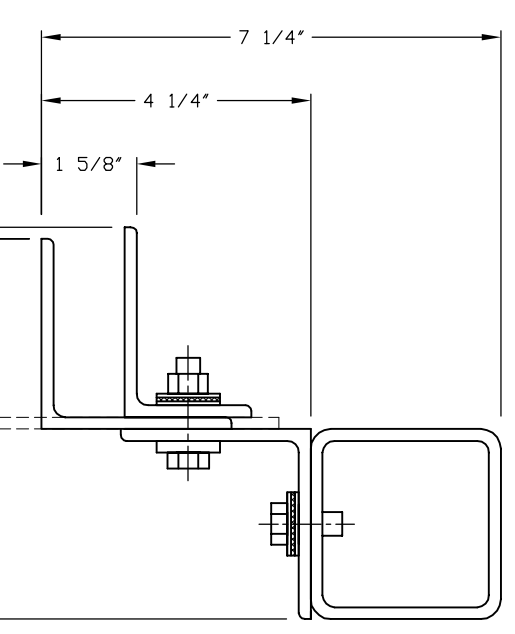
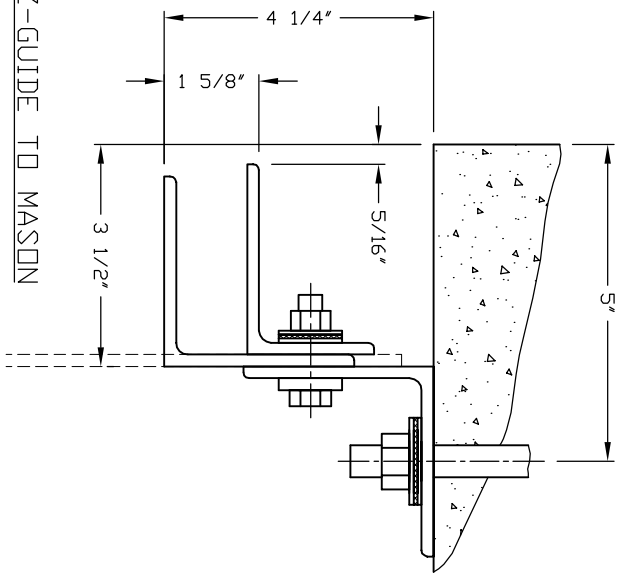
EST

E-GUIDE TO STEEL



ZMA

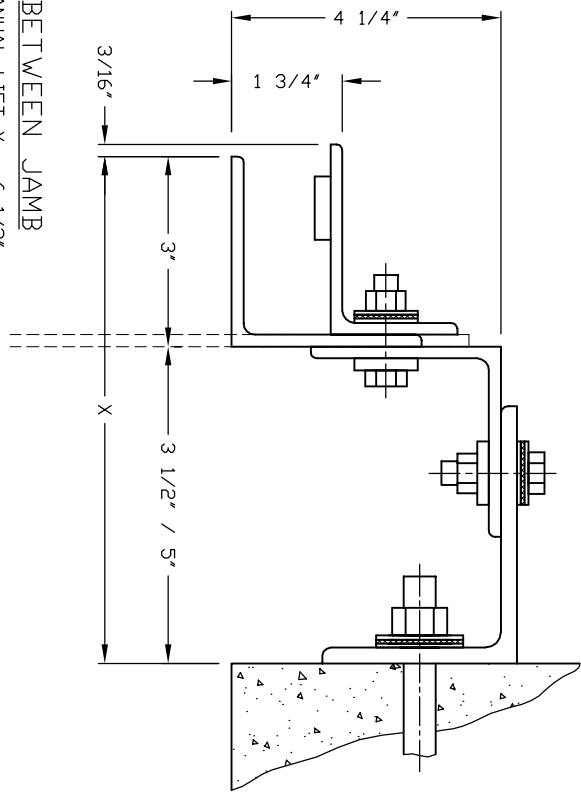
Z-GUIDE TO MASON



BJ

BETWEEN JAMB

MANUAL-LIFT X = 6 1/2"
CHAIN, CRANK, MOTOR
DN DRIVE SIDE X = 8"



ZTU

Z-GUIDE TO TUBE

| | | | |
|---|----------------|----------------|------------------|
| TITLE: 3' FIRE DOOR GUIDE MOUNT OPTIONS | | | |
| * DOORS UP TO 13'-6" WIDE | | | |
| SCALE: -- | DATE: 09/17/06 | DRAWN BY: A.K. | CHECKED BY: P.V. |
| United Steel Products, Inc. 33-40 127th Place Flushing NY 11368 | | DRAWING NO. | |

